

## MULTIMETER CS-360TRD

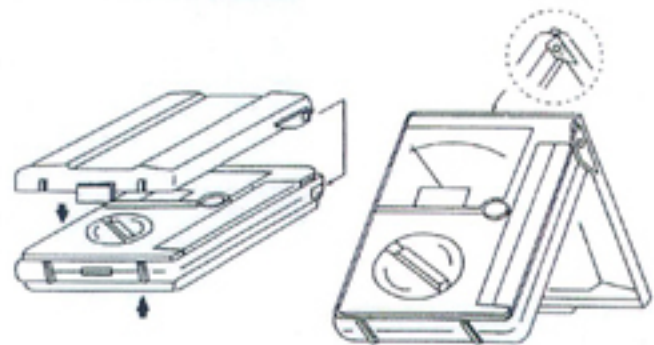


### MEASUREMENT RANGE AND ACCURACY

Function	Full scale value	Accuracy	Remarks
DCV ∴	0.1	±5% against full scale	Input impedance 20k Ω/V
	0.25/2.5/10/50	±3% against full scale	
	250/1000	±3% against full scale	Input impedance 9k Ω/V
ACV ~	10/50/250/1000	±4% against full scale	Input impedance 9k Ω/V 30Hz~100kHz within ±3% f.s (AC10V RANGE)
DCA ∴	50 μ	±3% against full scale	•1 Voltage drop 0.1V
	2.5m/25m/0.25	±3% against full scale	•1 Voltage drop 0.25V
Ω	2k/20k/2M (X1/X10/X1K)	±3% of arc	Center value 20Ω Max. value 2kΩ Release voltage 3V
	200M (X100k)	±5% of arc	
C	10 μF	—	•2
dB	-10dB ~ +22dB (FOR 10VAC) ~ +62dB	—	
L1	0 ~150mA atX 1 range 0 ~15mA atX 10 range 0 ~150 μA at X 1k range 0 ~1.5 μA atX 100k range		Current across test pins
<b>Use the optional probe</b>			
HV (DC high volt)	DC 25kV		
hFE	1000 atX10 range		HFE-6T probe

- 1 Not including the resistance of the fuse.
- 2 Pointer indication of the maximum move by charged current in the capacitor.

### INSTALLATION INSTRUCTIONS



### STORE OF TEST LEADS

When placing the test leads in the storing space, roll it 3 times, then put in the test pin side first for store in the place (test lead store space) as illustrated.

