

SHINOHAWA

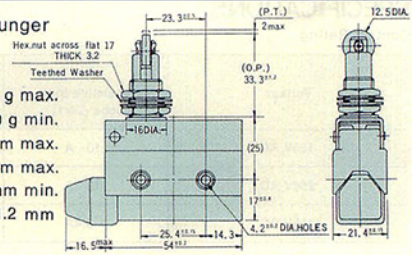
LIMIT SWITCH



Panel mount cross roller plunger

AZ 7312

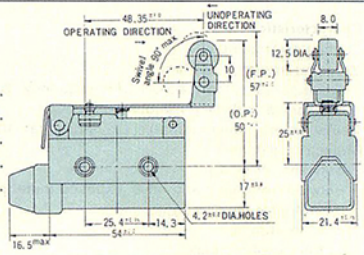
Operating Force600 g max.
 Release Force100 g min.
 Pretravel2.0 mm max.
 Movement Differential0.8 mm max.
 Overtravel6.0 mm min.
 Operating Position 33.3 ± 1.2 mm



One way roller lever

AZ 7124

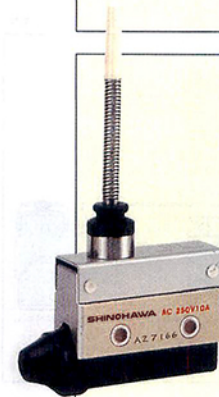
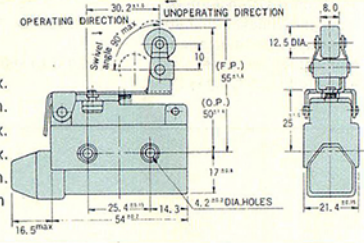
Operating Force200 g max.
 Release Force60 g min.
 Pretravel11 mm max.
 Movement Differential2.4 mm max.
 Overtravel3.0 mm min.
 Operating Position 50 ± 2.0 mm



One way roller short lever

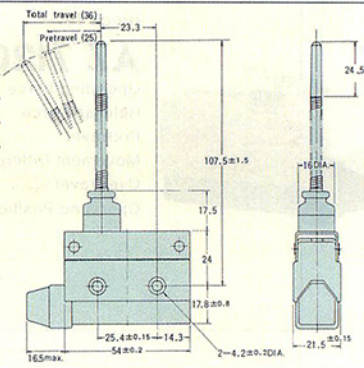
AZ 7144

Operating Force280 g max.
 Release Force100 g min.
 Pretravel6.5 mm max.
 Movement Differential1.5 mm max.
 Overtravel2.0 mm min.
 Operating Position 50 ± 1.6 mm



AZ 7166

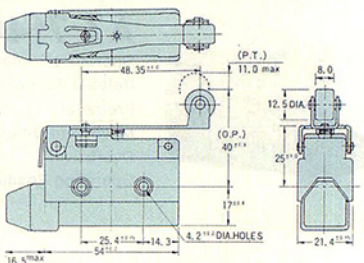
Operating Force120 g max.
 Pretravel25 mm max.
 Overtravel11 mm min.
 Total travel36 mm min.



Hinge roller lever

AZ 7121

Operating Force180 g max.
 Release Force50 g min.
 Pretravel11.0 mm max.
 Movement Differential2.4 mm max.
 Overtravel3.0 mm min.
 Operating Position 40 ± 1.9 mm



* Epoxy-sealed terminal types

** Neon lamp wired types

General tolerance: ± 0.4